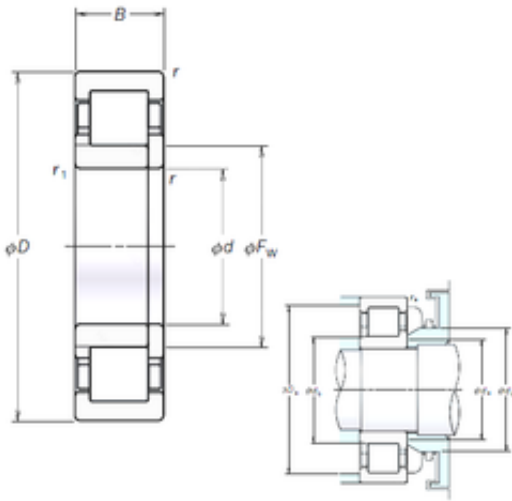




Win-Win Industrial Part Co.,Ltd



da NSK NUP213EM NUP-Type

Bearing No. NUP213EM

NUP213EM Bearing 2D drawings and 3D CAD models

Size	65x120x23 mm
Bore Diameter	65 mm
Outer Diameter	120 mm
Width	23 mm
d	65 mm
Fw	78,5 mm
D	120 mm
B	23 mm
C	23 mm
r min.	1,5 mm
r1 min.	1,5 mm
da min.	73 mm
Da max.	112 mm
db max.	76 mm
db min	73 mm
ra max.	1,5 mm
rb max.	1,5 mm
S	1,4 mm
Basic dynamic load rating (C)	108 kN
Basic static load rating (C0)	119 kN
(Grease) Lubrication Speed	5300 r/min
Category	Bearings
Inventory	0.0
Manufacturer Name	NSK
Minimum Buy Quantity	N/A
Weight / Kilogram	1.3



Win-Win Industrial Part Co.,Ltd

Product Group	B04144
hidYobi	NUP213EM
LangID	1
D_	120
Macha rpm	7100
B_	23
hidTable	ecat_NSCLDR
Oil rpm	5600
rb	1.5
mass	1.22
GRS rpm	4800
ra	1.5
db max	76
TSR rpm	6000
C0	119
DE_	108.5
Prod_Type3	CRB_SR_NUP
da	73
DA_	15
Z_	16
D_a max	112
yobi	NUP213EM
dd min	87
C_conv	108000
ALPHA_	0
SDM_	93.5
r	1.5
dc min	81
KBRG	4165
SBRG	2
r1	1.5
DI_	78.5



Win-Win Industrial Part Co.,Ltd