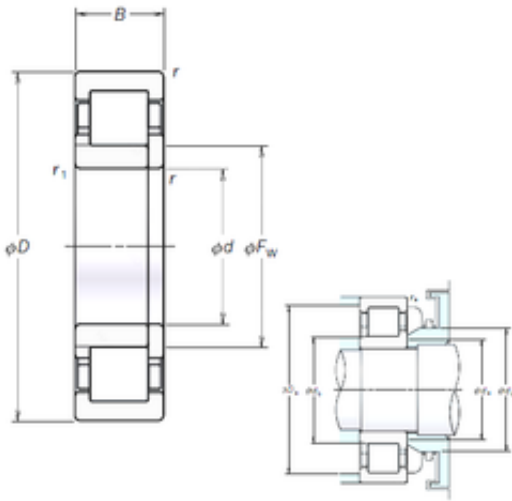




Win-Win Industrial Part Co.,Ltd



SBRG NSK NUP208EM NUP-Type

Bearing No. NUP208EM

NUP208EM Bearing 2D drawings and 3D CAD models

Size	40x80x18 mm
Bore Diameter	40 mm
Outer Diameter	80 mm
Width	18 mm
d	40 mm
Fw	49,5 mm
D	80 mm
B	18 mm
C	18 mm
r min.	1,1 mm
r1 min.	1,1 mm
da min.	46,5 mm
Da max.	73,5 mm
db max.	48 mm
db min	46,5 mm
ra max.	1 mm
rb max.	1 mm
S	1,2 mm
Basic dynamic load rating (C)	55,5 kN
Basic static load rating (C0)	55,5 kN
(Grease) Lubrication Speed	8500 r/min
Category	Bearings
Inventory	0.0
Manufacturer Name	NSK
Minimum Buy Quantity	N/A
Weight / Kilogram	0



Win-Win Industrial Part Co.,Ltd

Product Group	B04144
hidYobi	NUP208EM
LangID	1
D_	80
Macha rpm	11000
B_	18
hidTable	ecat_NSCLDR
Oil rpm	9000
rb	1
mass	0.447
GRS rpm	7500
ra	1
db max	48
TSR rpm	9000
C0	55.5
DE_	71.5
Prod_Type3	CRB_SR_NUP
da	46.5
DA_	11
Z_	14
D_a max	73.5
yobi	NUP208EM
dd min	56
C_conv	55500
ALPHA_	0
SDM_	60.5
r	1.1
dc min	52
KBRG	4165
SBRG	2
r1	1.1
DI_	49.5



Win-Win Industrial Part Co.,Ltd