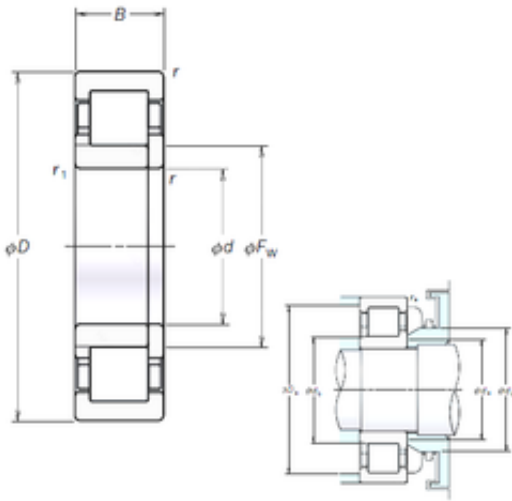




# Win-Win Industrial Part Co.,Ltd



## Macha rpm NSK NUP224EM NUP-Type

Bearing No. NUP224EM

NUP224EM Bearing 2D drawings and 3D CAD models

Size	120x215x40 mm
Bore Diameter	120 mm
Outer Diameter	215 mm
Width	40 mm
d	120 mm
Fw	143,5 mm
D	215 mm
B	40 mm
C	40 mm
r min.	2,1 mm
r1 min.	2,1 mm
da min.	131 mm
Da max.	204 mm
db max.	140 mm
db min	131 mm
ra max.	2 mm
rb max.	2 mm
S	1,5 mm
Db max	204 mm
Weight	6,43 Kg
Basic dynamic load rating (C)	335 kN
Basic static load rating (C0)	420 kN
(Grease) Lubrication Speed	3000 r/min
Category	Roller Bearings
Inventory	0.0
Manufacturer Name	NSK



## Win-Win Industrial Part Co.,Ltd

Minimum Buy Quantity	N/A
Weight / Kilogram	6.7
Product Group	B04144
hidYobi	NUP224EM
LangID	1
D_	215
Macha rpm	5300
B_	40
hidTable	ecat_NSCLDR
Oil rpm	3400
rb	2
mass	6.63
GRS rpm	3000
ra	2
db max	140
TSR rpm	3600
C0	420
DE_	195.5
Prod_Type3	CRB_SR_NUP
da	131
DA_	26
Z_	17
D_a max	204
yobi	NUP224EM
dd min	156
C_conv	335000
ALPHA_	0
SDM_	169.5
r	2.1
dc min	146
KBRG	4165
SBRG	2



## Win-Win Industrial Part Co.,Ltd

r1	2.1
DI_	143.5