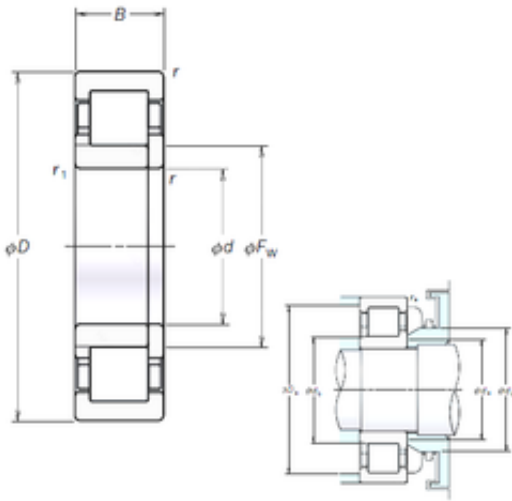




Win-Win Industrial Part Co.,Ltd



NUP219EM Bearing 2D drawings and 3D CAD models

db min NSK NUP219EM NUP-Type

Bearing No. NUP219EM

Size	95x170x32 mm
Bore Diameter	95 mm
Outer Diameter	170 mm
Width	32 mm
d	95 mm
Fw	112,5 mm
D	170 mm
B	32 mm
C	32 mm
r min.	2,1 mm
r1 min.	2,1 mm
da min.	106 mm
Da max.	159 mm
db max.	110 mm
db min	106 mm
ra max.	2 mm
rb max.	2 mm
S	1,4 mm
Db max	159 mm
Weight	3,17 Kg
Basic dynamic load rating (C)	220 kN
Basic static load rating (C0)	265 kN
(Grease) Lubrication Speed	3800 r/min
Category	Bearings
Inventory	0.0
Manufacturer Name	NSK



Win-Win Industrial Part Co.,Ltd

Minimum Buy Quantity	N/A
Weight / Kilogram	2.8
Product Group	B04144
hidYobi	NUP219EM
LangID	1
D_	170
Macha rpm	6700
B_	32
hidTable	ecat_NSCLDR
Oil rpm	4500
rb	2
mass	3.3
GRS rpm	3800
ra	2
db max	110
TSR rpm	4300
C0	265
DE_	154.5
Prod_Type3	CRB_SR_NUP
da	106
DA_	21
Z_	17
D_a max	159
yobi	NUP219EM
dd min	123
C_conv	220000
ALPHA_	0
SDM_	133.5
r	2.1
dc min	116
KBRG	4165
SBRG	2



Win-Win Industrial Part Co.,Ltd

r1	2.1
DI_	112.5