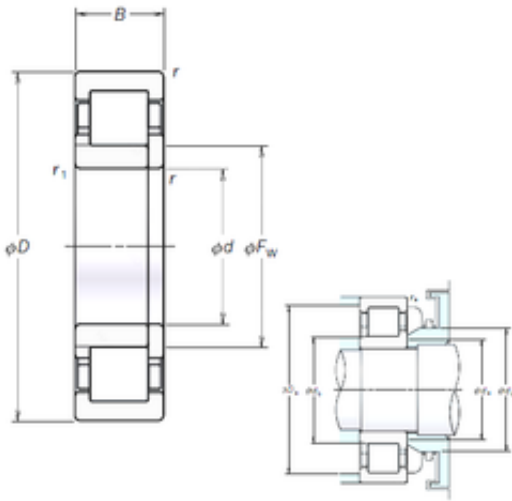




Win-Win Industrial Part Co.,Ltd



ra NSK NUP2228EM NUP-Type

Bearing No. NUP2228EM

NUP2228EM Bearing 2D drawings and 3D CAD models

Size	140x250x68 mm
Bore Diameter	140 mm
Outer Diameter	250 mm
Width	68 mm
d	140 mm
Fw	169 mm
D	250 mm
B	68 mm
C	68 mm
r min.	3 mm
r1 min.	3 mm
da min.	153 mm
Da max.	237 mm
db max.	165 mm
db min	153 mm
ra max.	2,5 mm
rb max.	2,5 mm
S	2,5 mm
Db max	237 mm
Weight	15,2 Kg
Basic dynamic load rating (C)	550 kN
Basic static load rating (C0)	790 kN
(Grease) Lubrication Speed	2200 r/min
hidYobi	NUP2228EM
LangID	1
D_	250



Win-Win Industrial Part Co.,Ltd

Macha rpm	4000
B_	68
hidTable	ecat_NSCLDR
Oil rpm	2800
rb	2.5
mass	15.6
GRS rpm	2200
ra	2.5
db max	165
TSR rpm	3200
C0	790
DE_	225
Prod_Type3	CRB_SR_NUP
da	153
DA_	28
Z_	18
D_a max	237
yobi	NUP2228EM
dd min	182
C_conv	550000
ALPHA_	0
SDM_	197
r	3
dc min	171
KBRG	4165
SBRG	22
r1	3
DI_	169