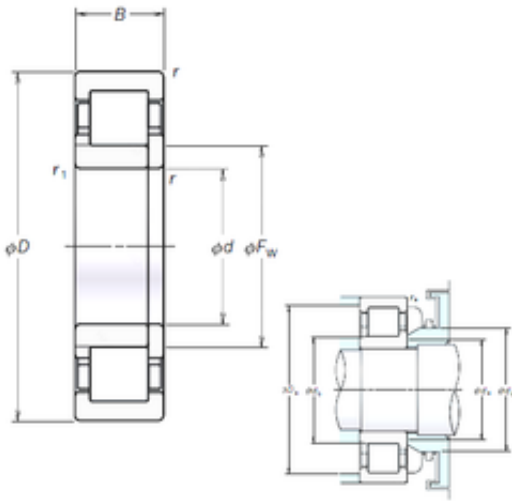




Win-Win Industrial Part Co.,Ltd



DI_ NSK NUP326EM NUP-Type

Bearing No. NUP326EM

NUP326EM Bearing 2D drawings and 3D CAD models

Size	130x280x58 mm
Bore Diameter	130 mm
Outer Diameter	280 mm
Width	58 mm
d	130 mm
Fw	167 mm
D	280 mm
B	58 mm
C	58 mm
r min.	4 mm
r1 min.	4 mm
da min.	146 mm
Da max.	264 mm
db max.	163 mm
db min	146 mm
ra max.	3 mm
rb max.	3 mm
S	2,3 mm
Db max	264 mm
Weight	18,7 Kg
Basic dynamic load rating (C)	615 kN
Basic static load rating (C0)	735 kN
(Grease) Lubrication Speed	2200 r/min
hidYobi	NUP326EM
LangID	1
D_	280



Win-Win Industrial Part Co.,Ltd

Macha rpm	4300
B_	58
hidTable	ecat_NSCLDR
Oil rpm	2600
rb	3
mass	18.9
GRS rpm	2200
ra	3
db max	163
TSR rpm	2600
C0	735
DE_	247
Prod_Type3	CRB_SR_NUP
da	146
DA_	40
Z_	14
D_a max	264
yobi	NUP326EM
dd min	184
C_conv	615000
ALPHA_	0
SDM_	207
r	4
dc min	169
KBRG	4165
SBRG	3
r1	4
DI_	167