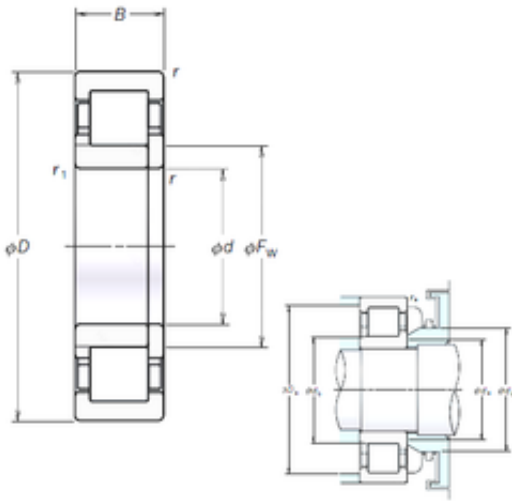




Win-Win Industrial Part Co.,Ltd



Fw NSK NUP2232EM NUP-Type

Bearing No. NUP2232EM

NUP2232EM Bearing 2D drawings and 3D CAD models

Size	160x290x80 mm
Bore Diameter	160 mm
Outer Diameter	290 mm
Width	80 mm
d	160 mm
Fw	193 mm
D	290 mm
B	80 mm
C	80 mm
r min.	3 mm
r1 min.	3 mm
da min.	173 mm
Da max.	277 mm
db max.	188 mm
db min	173 mm
ra max.	2,5 mm
rb max.	2,5 mm
S	3,3 mm
Db max	277 mm
Weight	24,5 Kg
Basic dynamic load rating (C)	810 kN
Basic static load rating (C0)	1190 kN
(Grease) Lubrication Speed	1900 r/min
hidYobi	NUP2232EM
LangID	1
D_	290



Win-Win Industrial Part Co.,Ltd

Macha rpm	3600
B_	80
hidTable	ecat_NSCLDR
Oil rpm	2400
rb	2.5
mass	25.2
GRS rpm	1900
ra	2.5
db max	188
TSR rpm	2400
C0	1190
DE_	261
Prod_Type3	CRB_SR_NUP
da	173
DA_	34
Z_	18
D_a max	277
yobi	NUP2232EM
dd min	210
C_conv	810000
ALPHA_	0
SDM_	227
r	3
dc min	197
KBRG	4165
SBRG	22
r1	3
DI_	193