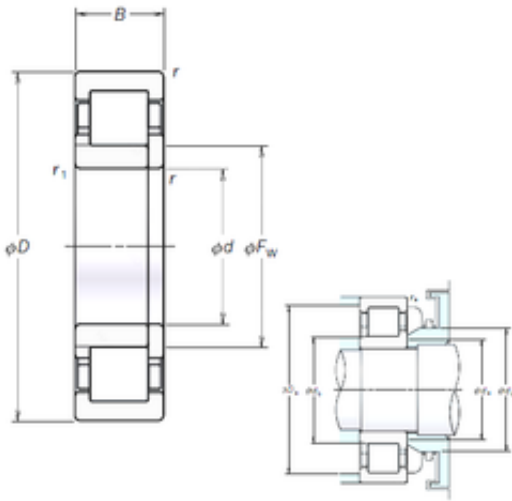




# Win-Win Industrial Part Co.,Ltd



## db max NSK NUP306EM NUP-Type

Bearing No. NUP306EM

NUP306EM Bearing 2D drawings and 3D CAD models

Size	30x72x19 mm
Bore Diameter	30 mm
Outer Diameter	72 mm
Width	19 mm
d	30 mm
Fw	40,5 mm
D	72 mm
B	19 mm
C	19 mm
r min.	1,1 mm
r1 min.	1,1 mm
da min.	36,5 mm
Da max.	65,5 mm
db max.	39 mm
db min	36,5 mm
ra max.	1 mm
rb max.	1 mm
S	1,2 mm
Basic dynamic load rating (C)	53 kN
Basic static load rating (C0)	50 kN
(Grease) Lubrication Speed	8500 r/min
hidYobi	NUP306EM
LangID	1
D_	72
Macha rpm	13000
B_	19



## Win-Win Industrial Part Co.,Ltd

hidTable	ecat_NSCLDR
Oil rpm	10000
rb	1
mass	0.427
GRS rpm	8500
ra	1
db max	39
TSR rpm	9500
C0	50
DE_	62.5
Prod_Type3	CRB_SR_NUP
da	36.5
DA_	11
Z_	12
D_a max	65.5
yobi	NUP306EM
dd min	48
C_conv	53000
ALPHA_	0
SDM_	51.5
r	1.1
dc min	44
KBRG	4165
SBRG	3
r1	1.1
DI_	40.5